

Installation manual

T4300S

Selecta Control

Thinking of you

 **Electrolux**

WARNING: ALL OPERATING AND MAINTENANCE PROCEDURES SHOWN ON THE NEXT PAGE OF THIS MANUAL MUST BE FOLLOWED DAILY FOR PROPER OPERATION OF YOUR ELECTROLUX MACHINE.

KEEP THIS MANUAL IN A
SECURE PLACE FOR FUTURE REFERENCE.

Warning: For your safety the information in this manual must be followed to minimize the risk of fire or explosion or to prevent property damage, personnel injury or death.

NOTICE TO: OWNERS, OPERATORS AND DEALERS.

IMPROPER INSTALLATION AND INADEQUATE MAINTENANCE, POOR HOUSEKEEPING AND WILLFUL NEGLECT OR BYPASSING OF SAFETY DEVICES MAY RESULT IN SERIOUS ACCIDENTS OR INJURY. TO ASSURE THE SAFETY OF CUSTOMERS AND/OR OPERATORS OF YOUR MACHINE, THE FOLLOWING MAINTENANCE CHECKS MUST BE PERFORMED ON A DAILY BASIS.

1. Prior to operation of the machine, check to make certain that all operating instructions and warning signs are affixed to the machine and legible. (See the following page of this manual for description and location of the signs.) Missing or illegible signs and labels **must be replaced immediately**. Be sure you have spare signs and labels available at all times. These can be obtained from your dealer.

2. Check the door safety switch, as follows:
 - (a) OPEN THE DOOR of the machine and attempt to start in the normal manner:
THE MACHINE(S) SHOULD NOT START!

 - (b) CLOSE THE DOOR to start machine operation and, while it is operating, open the door: **THE MACHINE(S) SHOULD STOP.**

If the machine can operate with the door open, it must be placed out of order until the necessary repairs are made.

3. DO NOT UNDER ANY CIRCUMSTANCES ATTEMPT TO BYPASS OR REWIRE ANY OF THE MACHINE`S SAFETY DEVICES AS THIS CAN RESULT IN SERIOUS ACCIDENTS, AND WILL VOID YOUR WARRANTY.

4. **Be sure to keep the machine(s) in proper working order:** Follow all maintenance and safety procedures. Further information regarding machine safety, service and parts can be obtained from your dealer.

All requests for assistance must include the model, serial number and electrical characteristics as they appear on the machine identification plate.

5. **WARNING: DO NOT OPERATE MACHINE(S) WITH SAFETY DEVICES BYPASSED, REWIRED OR INOPERATIVE!**

6. A wiring diagram for your machine is located behind the front panel.



Clothes dryer installation must be performed by a qualified installer.

Install the clothes dryer according to the manufacturer's instructions and local codes.

Do not install a clothes dryer with flexible plastic venting materials. If flexible metal (foil type) duct is installed, use duct that has been investigated and found acceptable for use with clothes dryers. Flexible venting materials are known to collapse, be easily crushed, and trap lint. These conditions will obstruct clothes dryer airflow and increase the risk of fire.

To reduce the risk of severe injury or death follow all installation instructions.

Save these instructions.

Safety and warnings signs

Located at the front of the dryer

Replace if missing or illegible.

One or more of these signs must be affixed on each machine.

WARNING!

Dry water-washed fabrics **ONLY**.

To avoid hazard, do not use heat when drying articles containing foam rubber or similarly textured rubber like materials.

DO NOT dry items containing gasoline, oil, kerosene, paint, wax, grease, or other combustible materials.

Remove items immediately after drying.

DO NOT let children play in or near dryer.

DO NOT use dryer in the presence of dry cleaning solvents

DO NOT store or use flammable liquids or aerosols near dryer.

487 22 26 50

CAUTION!

A clothes dryer produces combustible lint and the area around the clothes dryer should be kept free of lint.

Lint screen must be cleaned in accordance with the manufacturer's recommended frequency guidelines.

487 22 26 51

Located at the rear of the dryer



487 18 97 33

Dryer **MUST NOT** be operated with guards, outer panels, or service door/panels removed or not secured in place.



487 18 97 34

“Warning”
High temperatures which could cause severe burns.

CAUTION
Risk of Fire

A clothes dryer produces combustible lint and should be exhausted outdoors. See installation manual.
THIS DRYER MUST BE EXHAUSTED TO THE OUTDOORS.



INSTRUCTIONS
INSPECT EXHAUST DUCTING EVERY 6 MONTHS AND REMOVE LINT BUILDUP.

487 18 97 42

IMPORTANT

DO NOT JUMP WIRES AROUND AIR SWITCH.
DO NOT TAPE SWITCH DAMPER SHUT.
DO NOT RESTRICT FLOW OF AIR TO SWITCH.

487 18 97 43

Får ej övertäckas
Do not cover
Nicht überdecken
Ne pas couvrir
Må ikke overdækkes
Ei saa peittää
Non coprire
Nezakryvejte

487 19 69 74

! WARNING !

PLUMBERS BEWARE WHEN PRESSURE TESTING!!!
DRYER MUST NOT BE SUBJECTED TO PRESSURE THAT EXCEEDS 1/2 psig (3.5 kPa).
TO DO SO WILL CAUSE GAS LEAKS WHICH CAN RESULT IN FIRE OR EXPLOSION.
TO PROVIDE ADEQUATE COMBUSTION AIR THE FRESH AIR INTAKE MUST BE INSTALLED ACCORDING TO THE INSTALLATION MANUAL.

487 22 26 52

! WARNING

VALVE CONVERTED FOR USE ON LP GAS. REGULATOR BLOCKED OPEN! EXTERNAL REGULATOR REQUIRED! IMPROPER OPERATION COULD RESULT IN DEATH OR SERIOUS INJURY!

! MISE EN GARDE

SOUPAPE CONVERTIE POUR USAGE SUR GAZ DE PETROLE LIQUEFIE. REGULATEUR BLOQUE EN POSITION OUVERTE! REGULATER EXTERNE NECESSAIRE! UN FONCTIONNEMENT INAPPROPRIE PEUT PROVOQUER LA MORT OU DES BLESSURES GRAVES.

487 18 97 40

LPG (propane) conversion kit. Gas dryer only.

(GB) Disconnect from the supply before opening.
(FR) Mettre hors circuit avant d'enlever ce couverde.
(IT) Staccare le connessioni elettriche prima di aprire.
(DE) Strom unterbrechen bevor dieser Deckel geöffnet wird.
(DK) Afbryd strømmen for dette dæksel fjernes.
(SE) Bryt strömmen innan detta lock borttages.
(FI) Virta on katkaistava ennerkuin kantta avataan.

487 19 69 15

(GB) STEAM CONNECTION
Max. pressure 1000 kPa (145 psi).

(FR) RACCORDEMENT VAPEUR
Pression max. 1000 kPa.

(IT) ALLACCIAMENTO VAPORE
Pressione max. 1000 kPa.

(DE) DAMPFANSCHLUSS
Max. Druck 1000 kPa.

(DK) DAMPTILSLUTNING
Maks. tryk 1000 kPa.

(SE) ÅNGANSLUTNING
Max. tryck 1000 kPa.

(FI) HÖYRYLIITÄNTÄ
Suurin sallittu paine 1000 kPa

487 22 26 53
Steam dryer only

Electrical Information

It is your responsibility to have **ALL** electrical connections (including grounding) made by a properly licensed and competent electrician to assure that the electrical installation is adequate and conforms with local and state regulations or codes.

In the absence of such codes, **ALL** electrical connections, material, and workmanship **must conform** to the applicable requirements of the NATIONAL ELECTRIC CODE, see the data plate.

IMPORTANT: Failure to comply with these codes or ordinances and/or the requirements stipulated in this manual can result in personal injury or component failure.

NOTE: Component failure due to improper installation will **VOID THE WARRANTY**.

IMPORTANT: A separate circuit serving each dryer **must be** provided. The dryer **must be** connected to copper wire only. **DO NOT** use aluminum wire which could cause a fire hazard.

NOTE: The use of aluminum wire will **VOID THE WARRANTY**

CAUTION: Label all wires prior to disconnection when servicing controls. Wiring errors can cause improper operation or component failure.

Electric Service

Steam and gas dryers **ONLY**

IMPORTANT: The dryer must be connected to the electrical supply shown on the data label affixed to the dryer. In the case of 208 VAC or 240 VAC, the supply voltage **must match** the electric service specifications of the data label **exactly**. Wire **must be** properly sized to handle the rated current.

WARNING: 120 VAC, 208 VAC and 240 VAC ARE NOT THE SAME. Any damage done to dryer components due to improper voltage connections will **VOID THE WARRANTY**.



Electric dryers **ONLY**

IMPORTANT: ALL electrically heated dryers must be connected to the electric supply service shown on the dryers data label which is affixed to the back side of the control (service) door. The connecting wires must be properly sized to handle the rated current.

NOTE: Component failure due to improper voltage application will **VOID THE WARRANTY**.

Gas Information

It is your responsibility to have **ALL** plumbing connections made by a qualified professional to insure that the installation is adequate and conforms with local and state regulations or codes. In the absence of such codes, **ALL** plumbing connections, material, and workmanship must conform to the applicable requirements of **the National Fuel Gas Code**, see the data plate.

IMPORTANT: Failure to comply with these codes or ordinances, and/ or the requirements stipulated in this manual, can result in personal injury and improper operation of the dryer.

The dryer **must be** isolated from the gas supply piping system by closing its individual manual shut-off valve during any pressure testing of the gas supply piping system at test pressures equal to or greater than $1\frac{1}{2}$ psig (3.5 kPa).

IMPORTANT: Failure to isolate or disconnect the dryer from the gas supply as noted can cause irreparable damage to the gas valve and will **VOID THE WARRANTY**.

WARNING: FIRES or EXPLOSION COULD RESULT.



Gas Supply

The gas dryer installation must meet the American National Standard, National Fuel Gas Code, see the data plate, as well as local codes and ordinances and **must be** done by a qualified professional,

NOTE: Undersized gas piping will result in ignition problems, slow drying, increased use of energy, and can create a safety hazard.

The dryer **must be** connected to the type of heat/ gas indicated on the dryer data label. If this information does not agree with the type of gas available, **do not** operate the dryer. Contact your local dealer.

IMPORTANT: Any burner changes or conversions **must be** made by a qualified licensed professional.

The input ratings shown on the dryer data label are for elevations of up to 1,999 feet. The adjustment or conversion of the dryer(s) in the field for elevations over 2,000 feet are made by changing each burner orifice.

If these conversions are necessary, contact your local dealer.

Gas Data

Natural Gas

The natural gas supply pressure to the dryer **must be** between 6 and 10 inches water column. If the pressure is too low, ignition failure and/or slow drying times may result. Excessively high supply pressure will result in erratic operation of the gas valve's internal pressure regulator. The pressure measured at the pressure tap (2) on the body of the gas valve **must be** 4.2-inches water column.

Propane Gas

Dryers made for use with propane gas have the gas valve pressure regulator blocked open, so that the gas pressure **must be** regulated upstream of the dryer. The pressure measured at the gas valve body pressure tap (2) **must be** 11 inches water column. In accordance with American Gas Association (AGA) standards, a gas pressure regulator, when installed indoors, must be equipped with a vent limiter or a vent line must be installed from the gas pressure regulator vent to the outdoors.

The water column pressure **must be** regulated at the source (Propane tank), or an external regulator must be added to each dryer.

Piping/Connections

The dryer is provided with a $\frac{1}{2}$ " NPT. inlet pipe connection extending out the rear area or through the top of the dryer. For ease of servicing, the gas supply line of each dryer should have its own shut-off valve.

The size of the gas supply line (header) will vary depending on the distance this supply line travels from the gas meter or, in the case of propane gas, the supply tank, the number of tees, other gas-operated appliances, etc. Specific information regarding supply line size **should be** determined by the gas supplier.

NOTE: Undersized gas supply piping can create a low or inconsistent gas pressure which will result in erratic operation of the burner.

Consistent gas pressure is essential at **ALL** gas connections. It is recommended that a $\frac{3}{4}$ -inch pipe gas loop be installed in the supply line serving the bank of dryers. An in-line pressure regulator **must be** installed in the gas supply line (header) if (natural) gas line pressure exceeds 12-inches water column pressure.

(continued next page)

IMPORTANT: Water column pressure of 4.2 -inches for natural gas dryers and 11.0 inches for propane gas dryers is required at the gas valve pressure tap (2) of each dryer for proper and safe operation.

A 1/8" N.P.T. plugged tap, accessible for test gauge connection, **must be** installed in the main gas supply line immediately upstream of each dryer.

IMPORTANT: Pipe joint compounds that resist the action of natural gas and propane gas **MUST BE** used.

WARNING: Test ALL connections for leaks by brushing on a soapy water solution (liquid detergent also works well). **NEVER TEST FOR GAS LEAKS WITH AN OPEN FLAME.**

ALL components / materials **must conform** to NATIONAL FUEL GAS CODE specifications. It is important that gas pressure regulators meet applicable pressure requirements and that gas meters are rated for the total amount of appliance BTU's being supplied.

Additional safety instructions and warnings

Using the dryer

- **Do not** operate this appliance before reading the instruction booklet.
- **Do not** put articles containing foam rubber, plastic or similarly textured rubberlike materials in the dryer.
- **Do not** dry mopheads or articles exposed to gasoline, kerosene, paint wax, grease, combustible detergent or all purpose cleaners.
- **Do not** use heat for drying foam rubber items or similarly textured rubberlike materials.
- **Do not** put articles soiled with flammable liquids, vegetable- or cooking oils in dryer.
- **Do not** load materials containing flammable solvents into this appliance
- **Do not** reach into dryer until all moving parts have stopped.
- **Do not** let children play in or near dryer.
- **Do not** operate with panels, covers or guards removed from this appliance.
- Remove articles being dried immediately after tumbler stops.
- Lint screen must be cleaned in accordance with the manufacturer's recommended frequency guidelines.
- Avoid overdrying items such as silk and wool, as shrinkage or fabric damage may result.

The area surrounding the dryer

- **Do not** store or use flammable liquids near the dryer.
- **Do not** store chemicals, or spray aerosols near this appliance.
- **Do not** store or use aerosols or cleaning solvents in the vicinity of the dryer. Some chemicals used in laundries contain Chlorine (some dry-cleaning fluids, aerosols and bleach) When exposed to a flame, these chemicals may produce toxic fumes that are harmful to humans and highly corrosive.
- **Do not** place articles on or against this appliance
- This dryer is not to be used in the presence of dry cleaning solvents.
- A clothes dryer produces combustible lint and the area around the clothes dryer should be kept free of lint.

FOR YOUR SAFETY

DO NOT STORE OR USE GASOLINE OR OTHER FLAMMABLE VAPORS AND LIQUIDS IN THE VICINITY OF THIS OR ANY OTHER APPLIANCE,
DO NOT DRY MOP HEADS IN THE DRYER.
DO NOT USE DRYER IN THE PRESENCE OF DRY CLEANING FUMES.

IMPORTANT

YOU MUST DISCONNECT and LOCKOUT THE ELECTRIC SUPPLY and THE GAS SUPPLY or THE STEAM SUPPLY BEFORE ANY COVERS or GUARDS ARE REMOVED FROM THE MACHINE TO ALLOW ACCESS FOR CLEANING, ADJUSTING, INSTALLATION, or TESTING OF ANY EQUIPMENT per OSHA (Occupational Safety and Health Administration) STANDARDS.



CHILDREN SHOULD NOT BE ALLOWED TO PLAY ON OR
IN THE DRYER(S).

CHILDREN SHOULD BE SUPERVISED IF NEAR DRYER(S) IN OPERATION.

CAUTION

DRYER(S) SHOULD NEVER BE LEFT UNATTENDED
WHILE IN OPERATION.

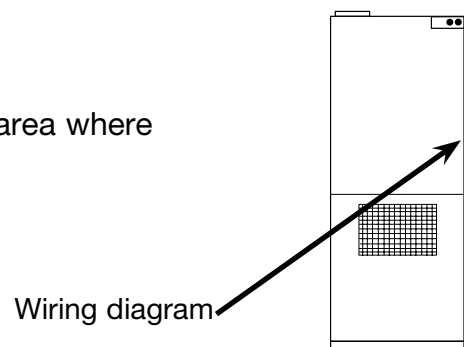
INSTRUCTIONS TO BE FOLLOWED IN THE EVENT THE USER SMELLS GAS MUST BE POSTED IN A PROMINENT LOCATION. THE INSTRUCTIONS TO BE POSTED SHALL BE OBTAINED FROM THE LOCAL GAS SUPPLIER.-

IMPORTANT

Please observe all safety precautions displayed on the equipment and/or specified in the installation/operators manual included with the dryer.

Dryer(s) must not be installed or stored in an area where it will be exposed to water and / or weather.

The wiring diagram for the dryer is located where shown.



Contents

Contents

Safety precautions	17
Technical data.....	19
Setup.....	23
Positioning.....	23
Connection to network.....	24
Unpacking	25
Remove the dryer from the pallet	25
Installation	27
Mechanical installation.....	27
Connection branch.....	27
Evacuation system.....	28
Fresh-air	28
Air principle	28
Exhaust duct	29
Gas installation.....	32
Test run	33
Gasvalve	33
Conversion to propane gas / natural gas	34
Nozzles sizes depending on altitudes.....	34
Conversion instructions	35
Tables of pressure and adjustments.....	36
Electric installation – gas heated tumble dryer.....	37
Connecting power.....	37
Supply dimension.....	37
Before servicing the tumble dryer.....	38
Function check.....	38
Circuit breaker, power consumption and voltages.....	38
Function check.....	39
Dimension sketch – Adapter for direct fresh-air intake.....	41

The manufacturer reserves the right to make changes to design and component specifications.



Safety Precautions



This machine is only intended for drying water-washed garments.

Clothes that have been cleaned with chemicals/flammable liquids, must NOT be dried in the machine.

Remove clothes from the tumble dryer as soon as they are dry. This prevents them from becoming creased, and reduces the risk of spontaneous ignition.

The machine must not be used for drying foam rubber or foam-like materials.

The machine must not be used for drying floor mops*.

The machine must not be used by minors.

The machine must not be hosed down with water.

Mechanical, electrical and gas installations must only be carried out by authorized personnel.

The key for the operating panel is only to be accessible to authorized personnel.

Report machine malfunctions to qualified service personnel as soon as possible. This is important for your own safety and for the safety of others.

Gas dryers only:

The machine is not to be installed in rooms containing cleaning machines with perchloroethylene, TRICHLOROETHYLENE or CHLOROFLUOROCONTAINING HYDROCARBONS as cleaning agents.

What to do if you smell gas:

Do not try to light any appliance.

Do not touch any electrical switch; do not use any phone in your building.

Evacuate the room, building or area.

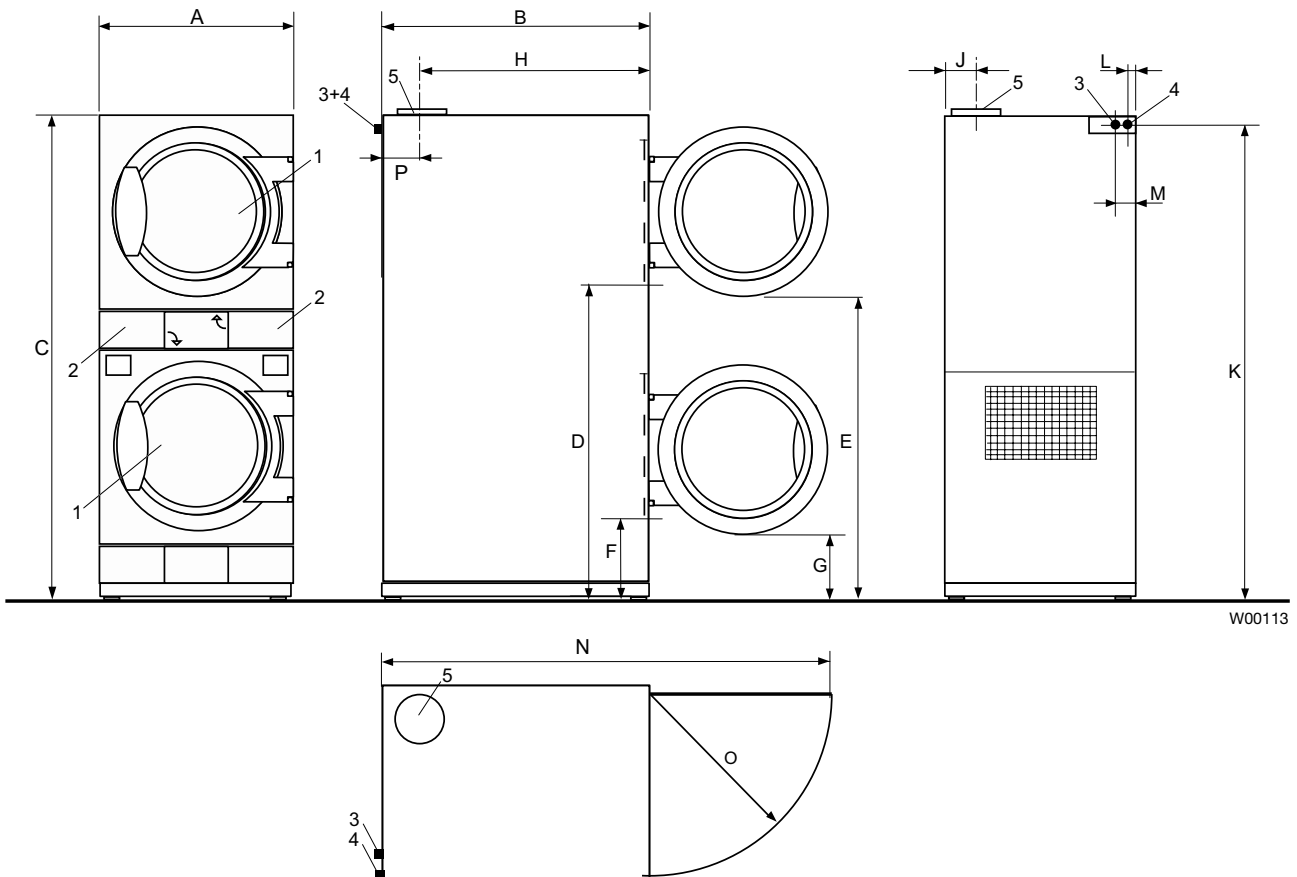
Contact appropriate authorities.

* Applies only to floor mops containing polypropylene.

1	Door opening = Ø 580 mm / 22 13/16 inch
2	Operating panel
3	Electric connection
4	Gas connection
5	Pipe connection, evacuation

	A	B	C	D	E	F	G	H	J	K	L	M
mm	790	1115	1940	1270	1210	320	260	905	140	1930	30	105
inch	31 1/8"	43 8/9"	76 1/4"	50"	47 5/8"	12 5/8"	10 1/4"	35 5/8"	5 1/2"	76"	1 3/16"	4 1/8"

	N	O	P
mm	1840	740	210
inch	72 1/2"	29 1/8"	8 1/4"



W00113

Technical data - Gas heated dryer

Metric and non metric version (USA 60Hz)

	Metric version	Non metric version
Drum volume:	2 x 300 litre	2 x 10.6 cu.ft.
Weight: Net	282 kg	620 lbs
Drum: Diameter	760 mm	29 15/16"
Depth	660 mm	26"
Revolutions per minute	45 rpm	45 rpm
Capacity:	2 x 13.6 kg	2 x 30 lb
Heat effect:	2 x 21 kW	2 x 71600 BTU/h
Air consumption:	2 x 600 m ³ /h	2 x 354 cu.ft./min
Pipe connection Evacuation	Ø 200 mm	Ø 8"
Drop in pressure Evacuation max.	400 Pa.	1.57" W.C.
Gas pipe connection:	ISO 7/1 - R1/2	1/2" NPT
Gas pressure: Natural gas: Minimum	See page regarding gas prssure	3.5" W.C.
Maximum		10" W.C.
Propane gas: Minimum		8" W.C.
Maximum		13" W.C.
Noise level:	< 70 dB (A)	< 70 dB (A)

Technical data - motor specifications

120V / 1 / 60 Hz

Blower motor (No. 487028120):

Effect	550W
Revolutions per minute:	3410 rpm

Drum motor (No. 487028121):

Effect	520W
Revolutions per minute:	3415 rpm

208-240V / 1 / 60 Hz

Blower motor (No. 487028122):

Effect	550W
Revolutions per minute:	3410 rpm

Drum motor (No. 487028123):

Effect	630W
Revolutions per minute:	3370 rpm

Setup

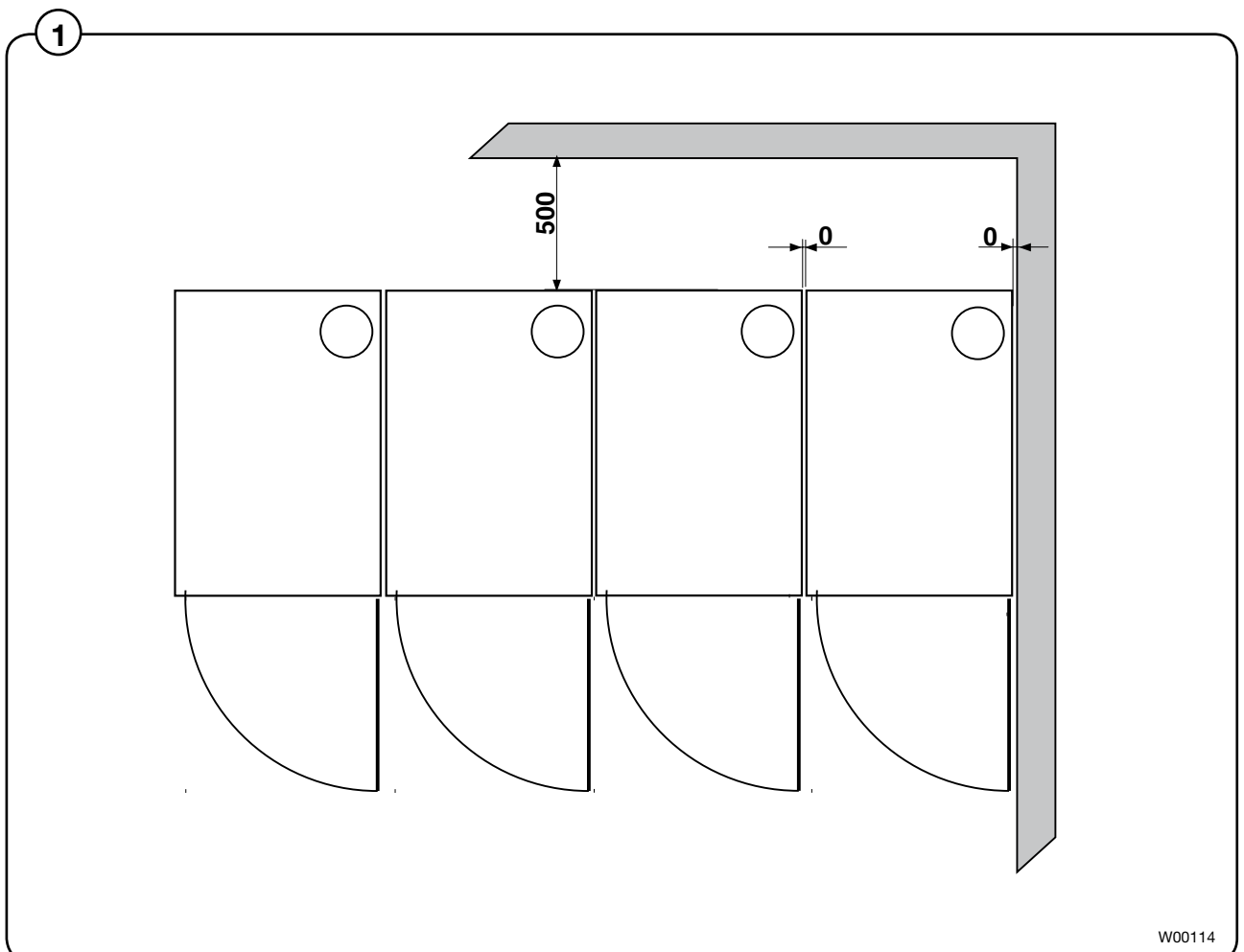
Positioning

- 1 Locate the dryer to ensure easy use and service.

The distance to the wall or other equipment behind the dryer should be min. 20 inch (500 mm).

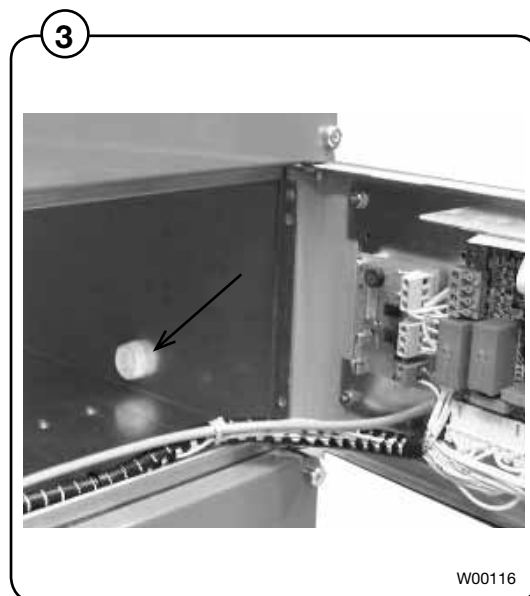
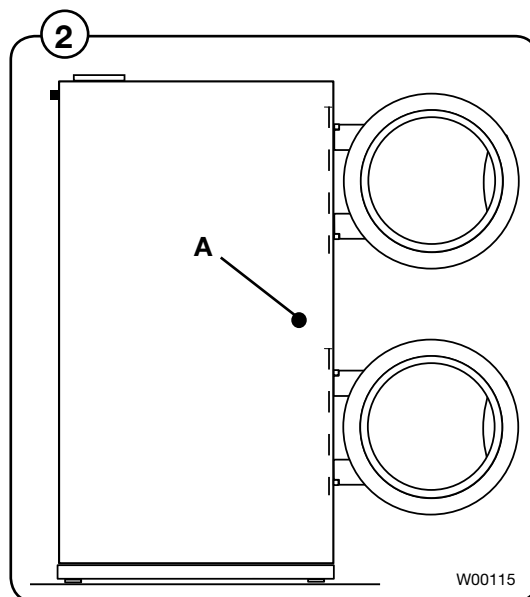
Apart from the minimum distances shown on fig. 1 there are no further requirements to the distance around the dryer.

There should be free access to the back of the dryer for the purpose of servicing.



Connection to network

- ② If several tumble dryers are to be connected to a network, the plugs **A** in the side panels must be removed before the dryers are installed.
- ③ A bushing for network cables must be installed from the inside in the right-hand side panel. The bushing must be pushed right through the hole in the left-hand side panel on the side of the dryer.



Unpacking

Handle the machine carefully when unpacking.

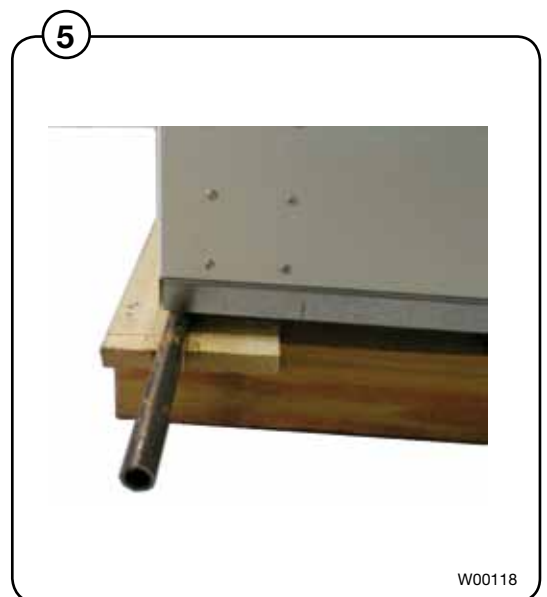
There are no transport fittings.

Remove the dryer from the pallet

At least 2 people are required to remove the dryer from the pallet.

The dryer is secured to the pallet with 3 transport screws.

1. Open the filter door. Remove the 2 transport screws at the front.
2. Remove the lower rear panel. Remove the transport screw by the rear panel. Install the rear panel.
- ④ 3. Position a 1 1/2" steel pipe behind the tumbler as shown in fig.
- ⑤ 4. Stand behind the dryer and tilt it forwards. When the tumbler releases the pallet, push the pipe under the tumbler.
- ⑥ 5. Push the tumbler from in front so that it hangs over the rear edge of the pallet.
6. Remove the steel pipe by tilting the dryer forwards and removing the pipe.



Installation

Mechanical installation

- ① Adjust the dryer so that it is horizontal and stable on all four feet.

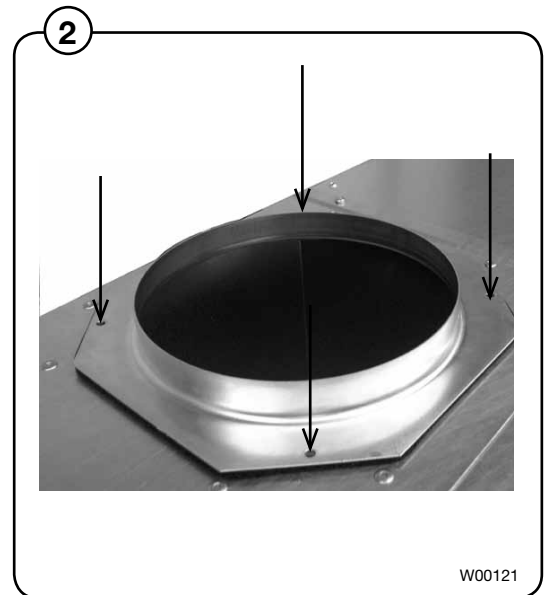
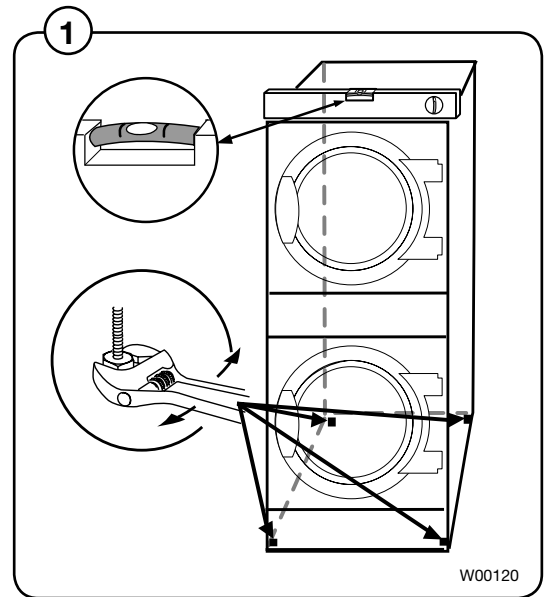
The height of the feet can be regulated by a maximum of 50 mm / 1 15/16 inch.

Once adjustment is complete, lock the feet with the self-locking nuts.

The dryer should not normally be bolted to the floor or base.

Connection branch

- ② Mount the enclosed branch at the top of the exhaust plenum. Use the 4 screws.



Evacuation system

Fresh-air

- ① For maximum efficiency and the shortest possible drying time, it is important to ensure that fresh air is able to enter the room from the outside in the same volume as that blown out of the room.
To avoid a draught in the room, it is advisable to place the air inlet behind the dryer.
The area* of the air inlet opening must be 5 times the size of the exhaust pipe area.
- ② The resistance in the grating/slats on the air-inlet cover plate should not exceed 10 Pa (0.1 mbar).

Gas heated: The air consumption is 2 x 354 cu.ft/min (2 x 600 m³/h)

*The area of the inlet opening is the area through which the air can flow without resistance from grating/slatted cover.

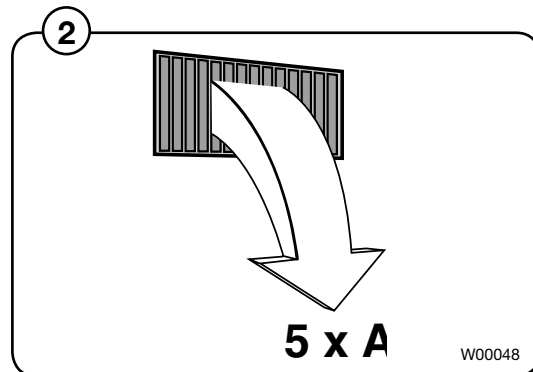
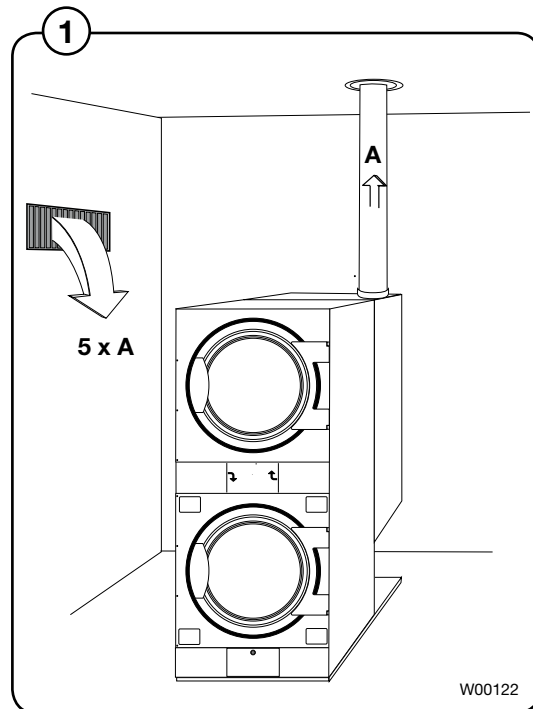
Note that gratings/slatted covers often block half of the total fresh air vent area. Remember to take this into account.

Air principle

The blower creates low pressure in the dryer, drawing air into the drum via the heating unit.

The heated air passes through the garments and the cylinder vents.

The air then flows out through a lint filter (filter drawer) positioned immediately below the drum. After this, the air is evacuated through the fan and exhaust system.



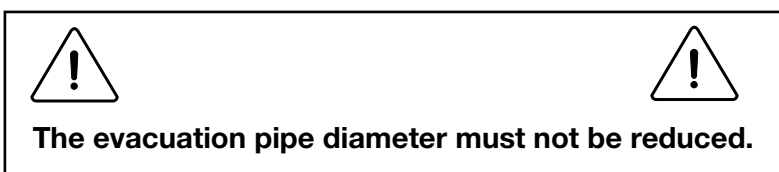
Exhaust duct

- The exhaust duct must be smooth on the inside (low air resistance).
- The exhaust duct must lead to the outdoors.
- The exhaust duct must lead clear of the building as condensation may cause frost damage to the building.
- The exhaust duct must be protected against rain and foreign objects.
- ③ • The exhaust duct must have gentle bends.
- The exhaust duct must not be a shared duct between dryers and appliances using gas or other fuels as their energy source.

When several dryers share an exhaust duct

- ④ • The exhaust duct diameter must increase after each dryer.
The table below shows the exhaust duct diameter and the necessary fresh-air inlet area.

Note! It is recommended that each dryer is connected to a separate exhaust duct.



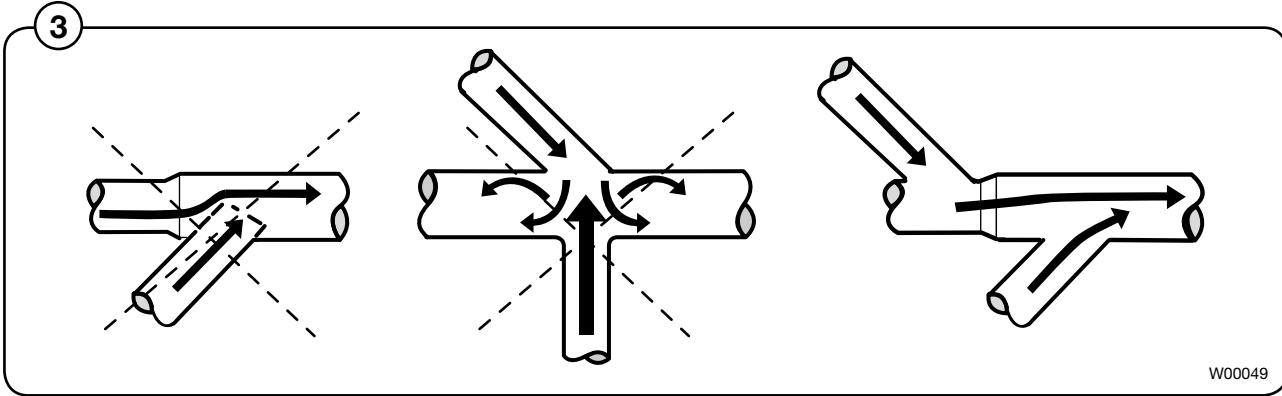
No. of dryers	1	2	3	4	5	6	7	8	9	10
Exhaust duct diameter in mm / inch	200 8"	280 11"	315 12 ³ / ₈	355 14"	400 15 ³ / ₄ "	450 18"	475 18 ³ / ₄ "	500 19 ⁵ / ₈ "	535 21"	560 22"
Minimum area of fresh-air intake in m ² / square feet	0.15 1 ⁵ / ₈	0.30 3 ¹ / ₄	0.45 4 ⁷ / ₈	0.60 6 ¹ / ₂	0.75 8 ¹ / ₁₆	0.90 9 ⁵ / ₈	1.05 11 ⁵ / ₁₆	1.20 13	1.35 14 ¹ / ₂	1.50 16 ¹ / ₈

Each machine requires a fresh-air aperture of 400 x 400 mm / 15³/₄" x 15³/₄"

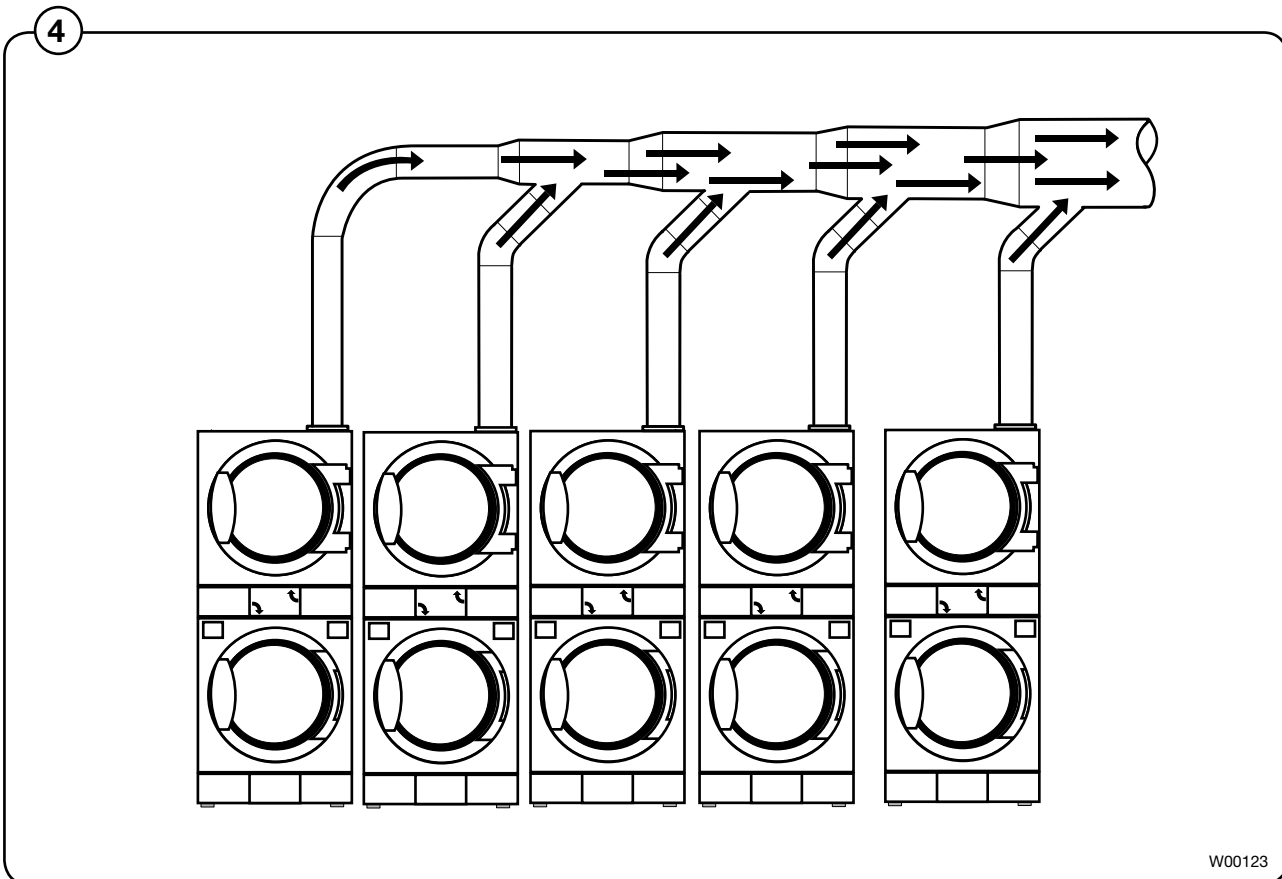
Service organization/dealer

If you have questions relating to the design of the exhaust system, please contact your local dealer or service organization.

Gentle bends



Several dryers share an exhaust duct



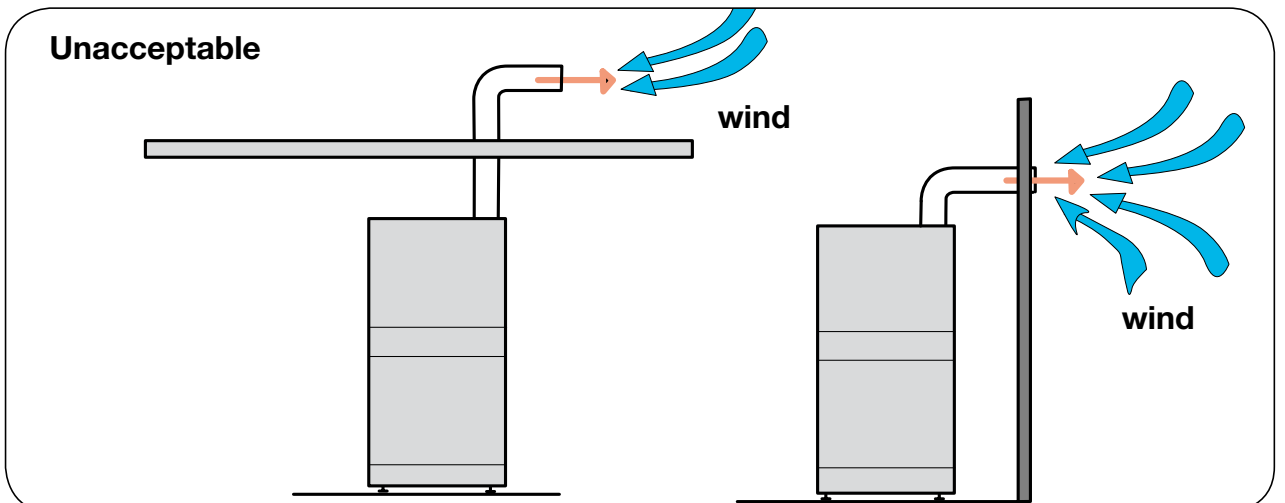
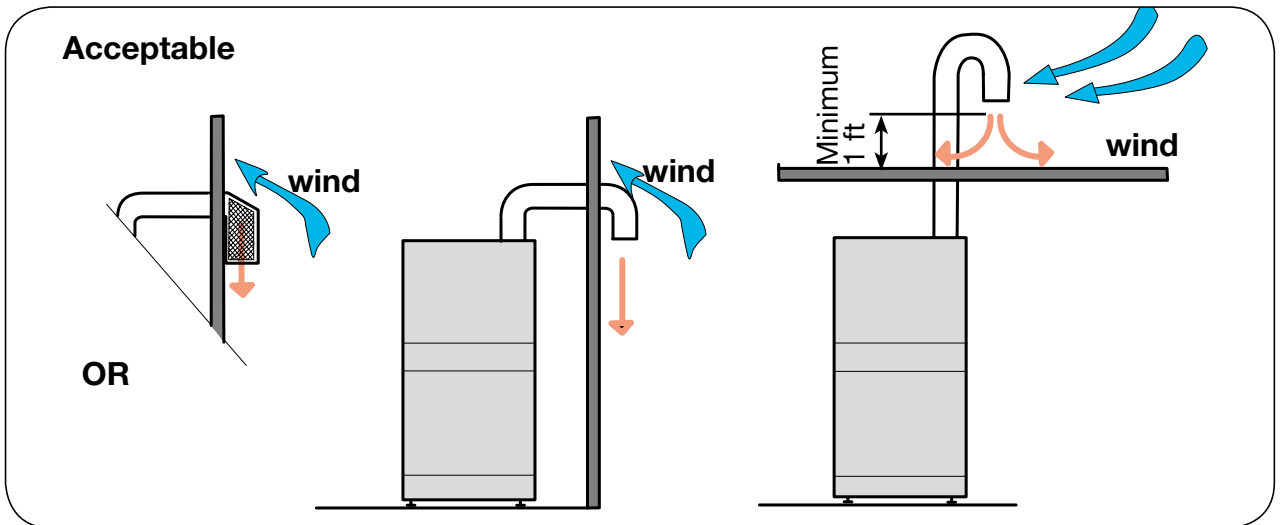
Exhaust duct

The exhaust duct must be designed to minimize backpressure. The end of the exhaust duct must never be exposed to wind pressure.

Maximum duct length

With 1 elbow	With 2 elbow	With 3 elbow
30 ft	24 ft	18 ft

Exhaust illustrations



Gas installation



It is your responsibility to have all plumbing connections made by a qualified professional to insure that the gas plumbing installation is adequate and conforms with local and state regulations or codes. In the absence of such codes, **ALL** plumbing connections, material, and workmanship must conform to the applicable requirements of **the National Fuel Gas Code ANSI Z223.1-LATEST EDITION** or the **CAN/CGA-B149, INSTALLATION CODES** - both the latest edition.



① Install the manual gas shutoff valve **A**.

The gas connection to the dryer should be dimensioned to an output depending upon the kW-rating of the dryer.

The factory nozzle pressure setting must correspond to the fuel value given on the data label.

Check that the nozzle pressure and fuel value correspond with the values in the gas tables on the following pages. If not, contact the supplier.

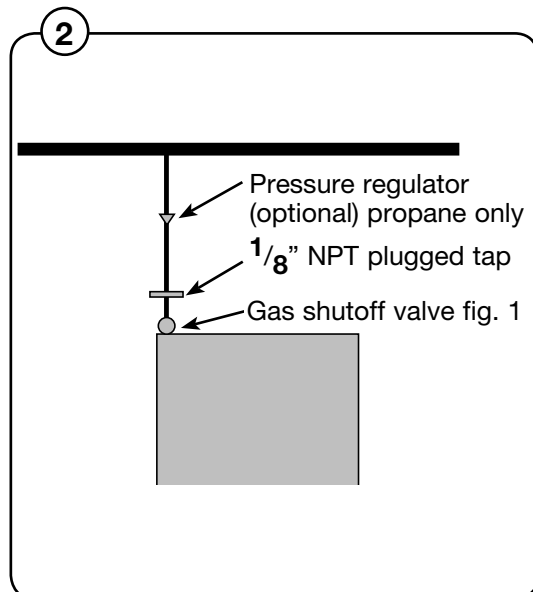
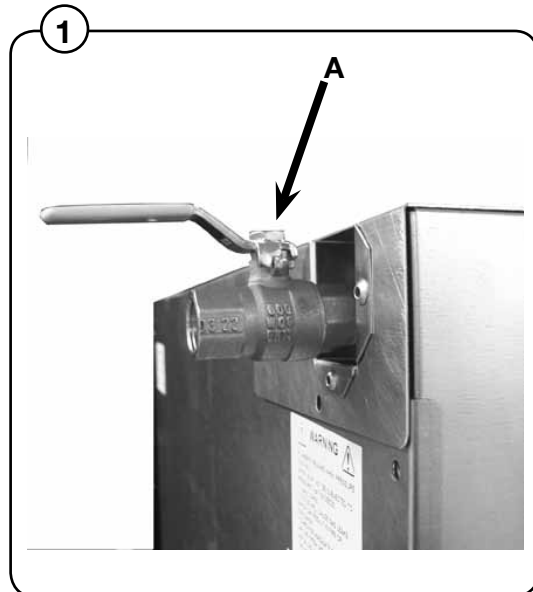
Bleed the pipe system before connecting the machine.

After connection, test all joints for leaks.

The dryer and its individual **shutoff** valve must be disconnected from the gas supply piping system during any pressure testing of the system at test pressures in excess of 1/2 psig (3.5 kPa).

The dryer must be isolated from the gas supply piping system by closing its individual manual shut-off valve during any pressure testing of the gas supply piping system at test pressures equal to or greater than 1/2 psig (3.5 kPa).

② A minimum $\frac{1}{8}$ inch NPT plugged tap, accessible for test gage connection, must be installed immediately upstream from the gas supply connections to the dryer.



Test run

Loosen the pressure measuring tap screw (2) 1/4 of a turn.

Connect a manometer to the measuring tap.

Select a program that uses heat.

Start the dryer.

Check the nozzle pressure, see table.

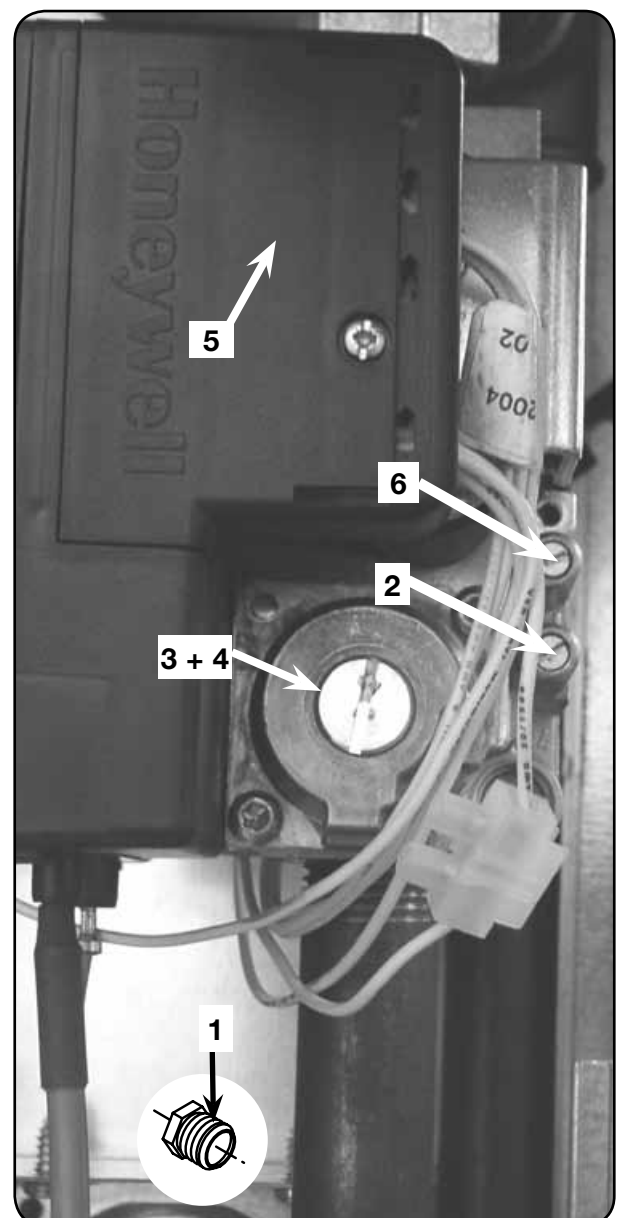
If necessary adjust the regulator setting screw (4) found behind cover screw (3). Replace cover screw (3) if removed.

Check that the gas is burning evenly and with a bluish flame.

After testing, prepare the dryer for use.

Gasvalve

1. Nozzle
2. Measuring branch, nozzle pressure
3. Adjusting screw cap
4. Adjusting screw
5. Ignition control
6. Measuring tap, supply pressure



Conversion to propane gas / natural gas

This machine has been build to run on neutral gas. If the machine is to be converted to another type of gas, the gas nozzle must be replaced. Conversion kit for propane gas is enclosed in secondary packing. Please contact your dealer or Electrolux if the current gas type is not propane/ natural gas.

Nozzles sizes depending on altitudes

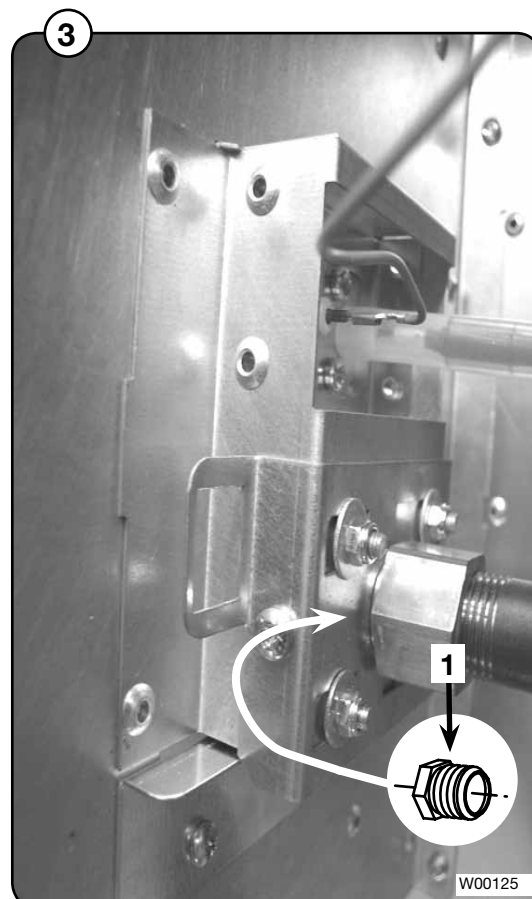
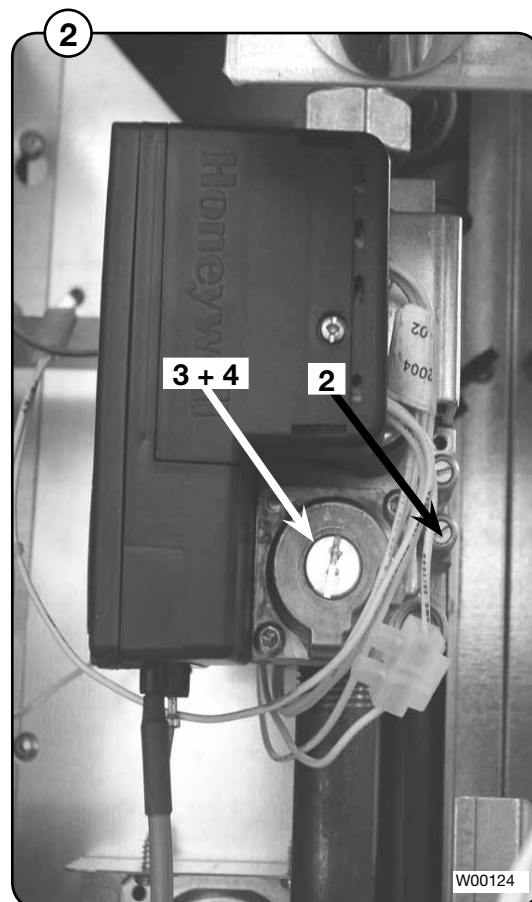
The nozzles have to be ordered separately from the Spares Dept.

Altitude (ft.)	Nozzle for natural gas	
	Diameter (mm)	Art. no.
0-1999	3.8	471 98 53 60
2000-3999	3.7	471 98 53 73
4000-5999	3.6	471 98 53 88
6000-8000	3.4	471 98 53 58

Conversion instructions

1. Disconnect the power to the dryer.
2. Dismount the back panel.
3. Remove nozzle (1), see Fig. 3.
4. Mount the enclosed nozzle (1), see Fig. 1.
5. Loosen the measuring branch screw (2) 1/4 turn; connect a manometer to the measuring branch (2), see Fig. 2.
6. Connect the power and select a programme with heat.
7. Start the dryer.
8. See nozzle pressure in table on the previous page Fig. 1 - set the nozzle pressure on setting screw (4) under cover screw (3), see Fig. 2.
9. Check that the gas flame burns evenly and has a bluish colour.
10. Mount the cover screw (3), see Fig. 2.
11. Remount the back panel.

NOTE: After the conversion has been carried out, the enclosed sign with the new gas type printed on it **must** be affixed to the dryer data plate, see instructions on the last page.



Installation

Tables of pressure and adjustments

Heat effect 2 x 71600 Btu/h

** Nozzle dimension at altitude up to 1999 ft

Country	Gas type	Heat effect per pocket Btu/h	Heat effect total Btu/h	Upper calorific value MJ/m3	Inlet inch W.C.			Nozzle pressure (Measuring branch 2) inch W.C.	Ø Nozzle **mm	Label No. fig. 4
					Min.	Nom.	Max.			
USA Canada	Propane	71600	143200	93.7	10	11.0	13	11.0	2.4	487222678
	Natural gas	71600	143200	37.78	6	7.0	10	4.2	3.8	

When the dryer is to be converted to another gas type, the data label on the rear of the dryer must be updated in order for the data to be correct.

Place the data label enclosed in the conversion kit on top of the data label as shown below.

TD30X30
 Product no.: 9873910048
 Serial no.: 63300 / 9999999
 QC: 09999999 Date: 0000 Wiring diag: 43232003245
 Program: 432661001,
 Type: N33030G3S
 ELECTROLUX LAUNDRY SYSTEMS SWEDEN AB



0000000000009873910048

Product no.: 9873910048
 Serial no.: 63300 / 9999999
 QC number: 09999999 Date (YYMM): 0000
 Capacity: 30 lb per pocket
 Type/Model: N33030G3S
 Voltage: 208-240V 1N ~ 60Hz
 Each: 208-240V 1 AC 60Hz
 Rated Input: 2.0kW 10A
 Each: 1 kW 5A
 Inverse time circuit breaker: 2 X 15A



Control no.: 2002648
 Confirms to:
 UL std. 1240 and
 ANSI std. Z21.5.2
 Certified to CSA
 7.2:2005, add. A

Qn (Hs) 13.5kW
 DK.NO,SE,FI,GB,ES,GR,IE,IT,PT,AT: 12H-20 MBAR
 DE:12E(LL)-20MBAR
 ID.nr. 359BQ491
 MANIF.PRESSURE: 10 MBAR, INJECTOR.Ø3, 10 MM
 NATURAL GAS: G20-20 MBAR
 (INLET PRES: 20 MBAR, CAL.VAL.37400 KJ/M3)
 -87.22.93.64.00

TOTAL GAS INPUT 143200 BTU/H EACH 71600 BTU/H
 NATURAL GAS : 1075 BTU/CUFT
 ORFICE MM : 3.8 (0-2000 FT ALTITUDE)
 INLET PRESSURE MAX : 10" WC
 INLET PRESSURE : REC: 7" WC
 INLET PRESSURE : MIN 3.5" WC
 MANIFOLD PRESSURE : 4.2" WC
 CLOTHES DRYER VOL.II
 IPX4

For safety reasons use only genuine spare parts.

Made in Sweden
 ELECTROLUX LAUNDRY
 SYSTEMS SWEDEN AB

TD30X30
 Product no.: 9873910048
 Serial no.: 63300 / 9999999
 QC: 09999999 Date: 0000 Wiring diag: 43232003245
 Program: 432661001,
 Type: N33030G3S
 ELECTROLUX LAUNDRY SYSTEMS SWEDEN AB



0000000000009873910048

Electrical installation Gas heated tumble dryer



It is your responsibility to have **ALL** electrical connections (including grounding) made by a properly licensed and competent electrician, to assure that the electric installation is adequate and conforms with local and state regulations or codes.

In the absence of such codes, **ALL** electric connections, material, and workmanship must conform to the applicable requirements of the NATIONAL ELECTRIC CODE ANSI/NFPA NO. 70-or the CANADIAN ELECTRICAL CODE, CSA C22.1 - both the latest edition.

A separate circuit serving each dryer **must** be provided. The dryer must be connected to copper wire only. **DO NOT** use aluminum wire which could cause a fire hazard.

Important

The machine is equipped with a control circuit transformer set for an incoming supply of 120 volts or 240 volts.

Connecting power

A wiring diagram is included with each dryer showing the wiring connection sequence.

Remove the back plate to connect through supply entrance to the power terminal strip.

- ① The dryer is shipped with five (5) connection points: 2 phases, 2 neutral and one earth terminal, one phase and one neutral is used for each dryer. This configuration is made only to ensure, that relatively small supply can be used. Be aware that the installation must comply with applicable standards, codes and local requirements.

T = Top dryer

B = Bottom dryer

NOTE Insert only one wire in each terminal.

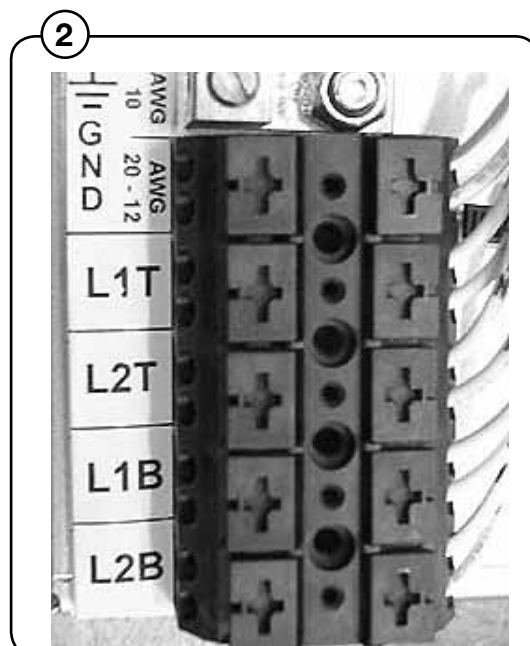
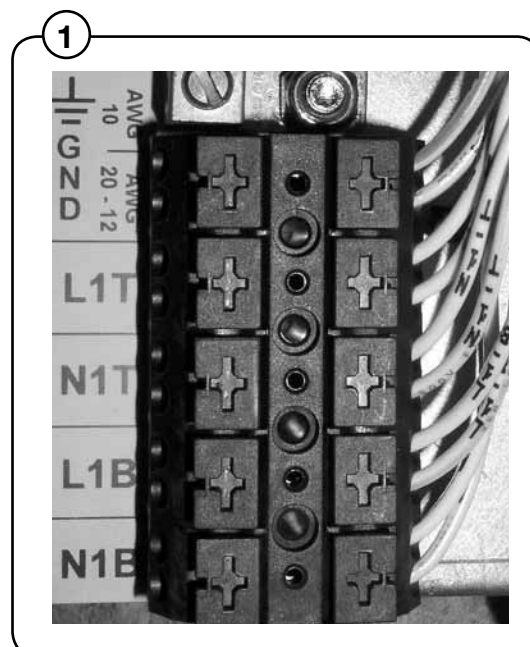
- ② Cables are installed with the aid of a screwdriver.

Supply dimension

Refer to local codes to determine proper size of power supply.

Earth conductor shall comply with applicable standards.

Circuit breaker ratings are given on the following page.



Before servicing the tumble dryer

While one tumbler in a dryer is being serviced, the other must not be in use.

If the top dryer or the bottom dryer needs servicing, the remaining tumbler may be kept in service if it is operating properly.

While one pocket is being serviced, all power to the machine must be shut off at the circuit breakers.

Function check

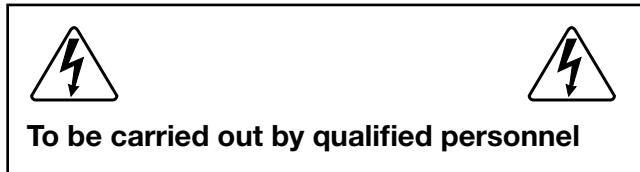
Correct direction of rotation is important, see next page.

Circuit breaker, power consumption and voltages

Note: Use common trip, single-lever circuit breakers only

Heating alternative	Voltage alternative	Heat effect kW	Motor effect kW	Max. effect kW	Fuse A
Gas heating	120V 1AC 60Hz	0	2x1	2x1	2x15
	208-240V 1AC 60Hz	0	2x1	2x1	2x15
EI heating	480V 3AC 60Hz	2x18	2x1	2x20	2x25

Function check

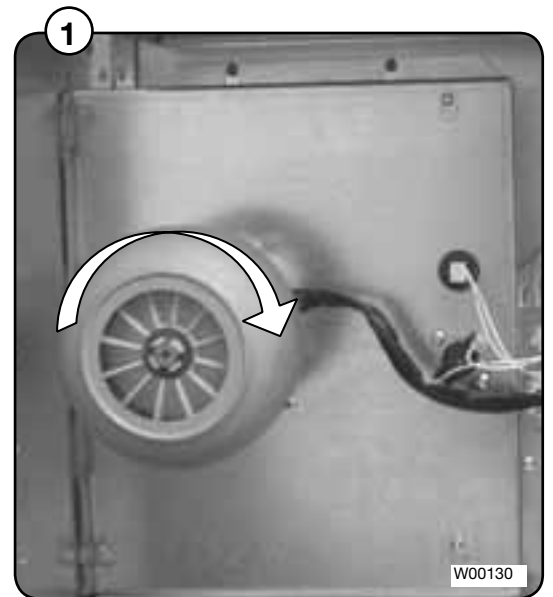


Check that the drum is empty and the loading door is closed.

Start the dryer

Check if the switches are working properly:

- The dryer must stop if the loading door is opened.
- The dryer must stop when the lint drawer is opened.



Checking the direction of rotation

- ① Correct direction of rotation: clockwise.

Turn the terminal through 2 phases if the direction of rotation is incorrect.

Final test

Let the dryer work for 5 minutes on a program that requires heat.

Then check whether the heating is working by opening the door and feeling the heat.

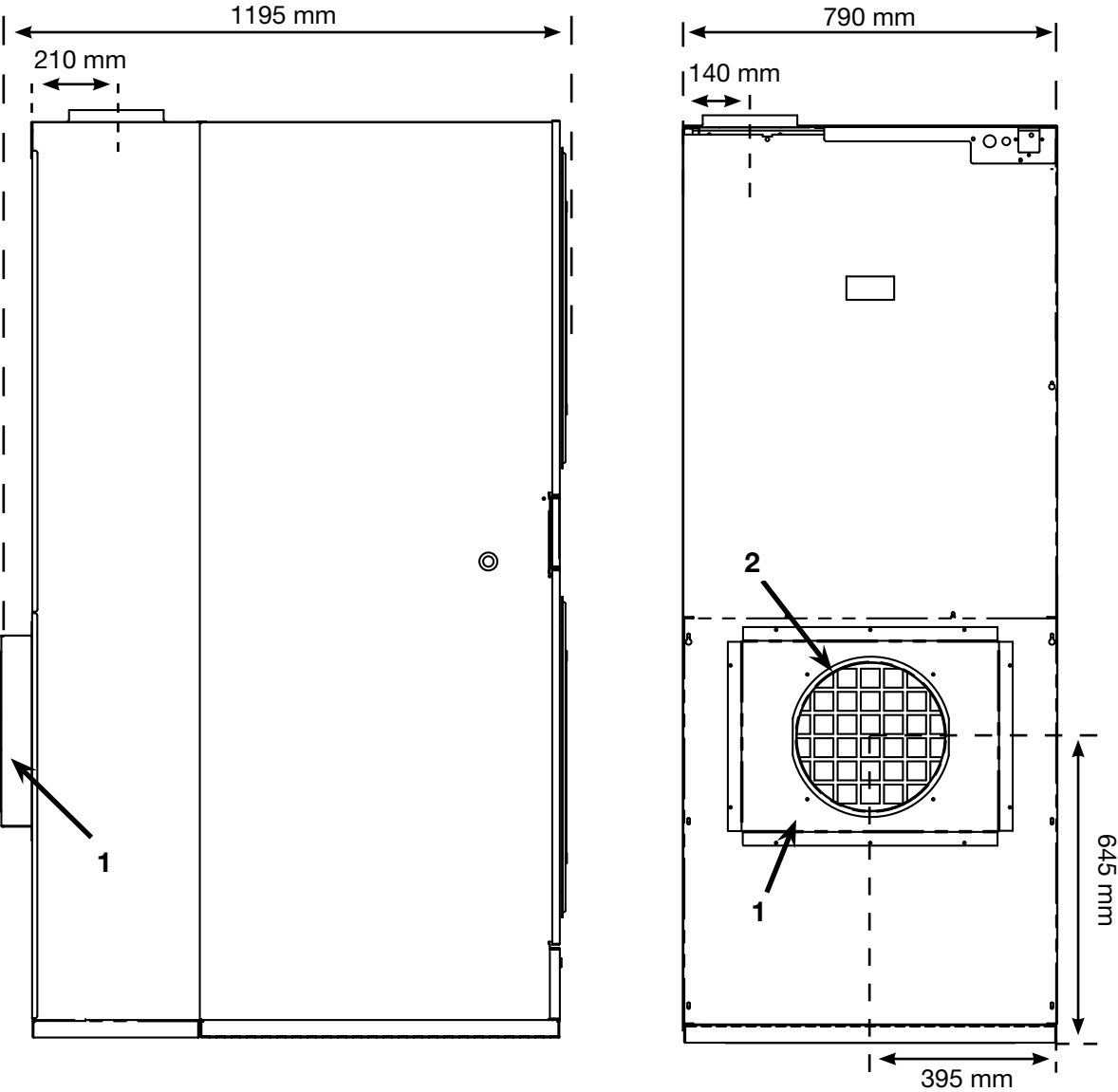
If the above test-points are in order, the dryer is ready for use.

Service organisation / dealer

If operational problems are encountered, please contact your local service organisation / dealer.

Dimension sketch - Adapter for direct fresh-air intake

1	Adapter kit no. 988 802 050 - Gas and electric heated dryer
2	Connecting branch in top / bottom for fresh-air intake, diameter Ø12" (Ø 315 mm)



Thinking of you
 **Electrolux**

www.electrolux.com/laundrysystems

Share more of our thinking at www.electrolux.com